



FlexTech Sensor Bracket

For use with all In-Situ in-tank monitoring sensors

COMPATIBLE SENSORS

- RDOX Optical Dissolved Oxygen Sensor
- TurbiTech LA Suspended Solids Sensor
- TurbiTech LS Suspended Solids Sensor
- TurbiTech HR Suspended Solids Sensor
- MPX4 Multiparameter Sonde
- WaterTech pH8000 Sensor
- WaterTech Redox8000 Sensor
- WaterTech C4E Conductivity Sensor

MATERIALS

- PVC Fittings
- 316 Stainless Steel Bracket

INCLUDES

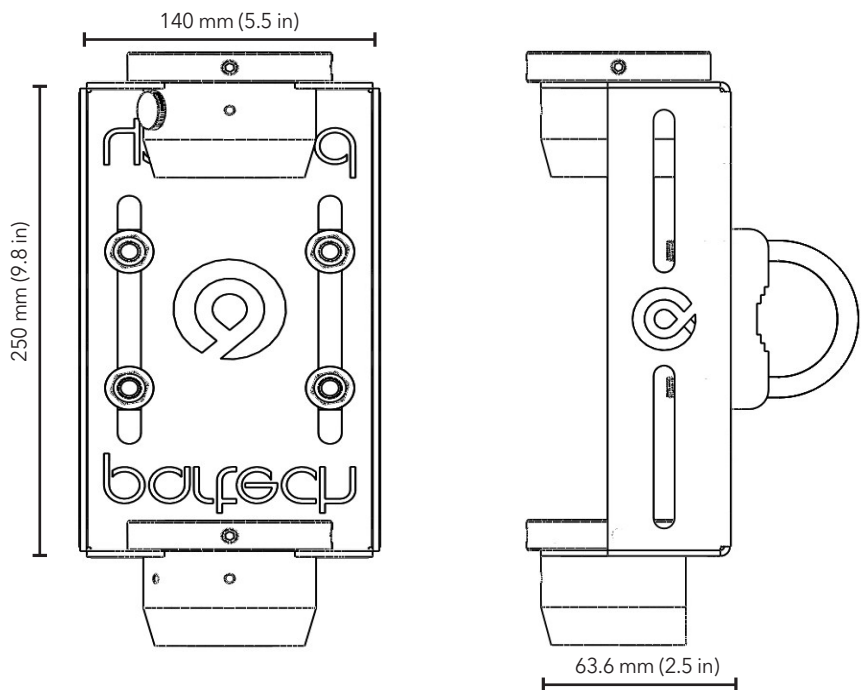
- Mounting Plate
- Two M10 U-Bolts with Fixings
- Two PVC Collars

NOT INCLUDED

- Mounting Shaft

ADJUSTMENT

- Vertical to 45°
application dependent



ORDER CODES

PART NO	DESCRIPTION
223980	FlexTech Sensor Bracket Handrail Ø 43 to 60.3 mm (1.5 in to 2.5 in)

The company reserves the right to alter the specification without prior notice. E&OE Dimensions are in mm with inches in brackets.