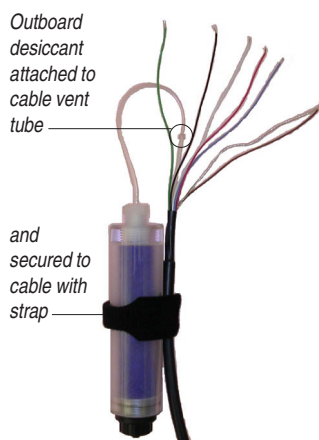
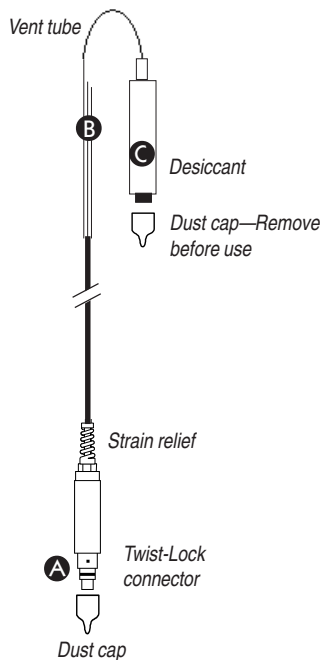




SHORT STRIPPED & TINNED CABLE with Male Twist-Lock Connector for Aqua TROLL® 200



Connects an Aqua TROLL's RuggedCable™ to a controller or logger for communication via:

- Analog (4-20 mA)
- RS485 Modbus
- SDI-12
- RS232 Modbus (with a customer-supplied converter)

- A** Male Twist-Lock connector mates with female Twist-Lock connector on the RuggedCable
- B** Stripped & tinned wires on opposite end for wiring to PLC or logger
- C** Removable, refillable outboard desiccant protects cable vent tube from condensation in high-humidity environments

SPECIFICATIONS

Materials	PVC, titanium, nylon, Viton®
Dimensions	13.33 cm (5.25 in) long, 19 mm (0.75 in) O.D.
Environmental Rating	IP67 when connected, not designed for submersion
Cable	0.9 m (3 ft) vented TPU (Thermoplastic Polyurethane)
Conductors	6 conductors, 24 AWG, polypropylene insulation
Desiccant pack	Clear acrylic, nylon, HDPE membrane
Desiccant	approx. 22 g silica gel, type 4
Max. recommended cable lengths	SDI-12 61 m (200 ft) Modbus 1259 m (4000 ft) 4-20 mA 1259 m (4000 ft)

CONNECTIONS

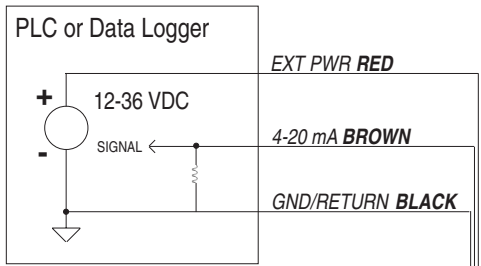
Refer to wiring diagrams on back of sheet. Trim back and insulate unused wires. The shield should be wired to a chassis ground or earth ground.

Power Connections. The Red wire provides power for all Aqua TROLL modes. The 4-20 mA current loop output can be continuous in Modbus or SDI-12 mode as long as Modbus device register 49507 is set to 1.

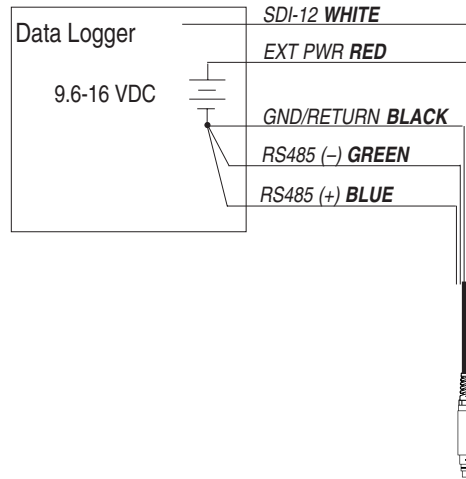
Communications. The device automatically switches between Modbus and SDI-12 modes depending on which of the two interfaces has activity. Modbus and SDI-12 cannot be used at the same time — whichever one is currently in use will block communication on the other.

To communicate with the device using Win-Situ® 5 software through a serial COM port: Disconnect the RuggedCable from the short stripped and tinned cable connector. Attach a TROLL Com to the RuggedCable. Connect the TROLL Com's DB9-pin connector to a serial port on a PC running Win-Situ 5.

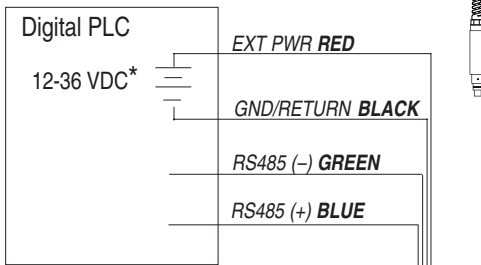
ANALOG (4-20 mA) 3 WIRE



SDI-12 3 WIRE



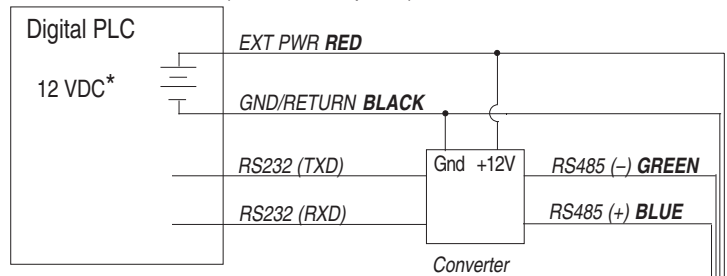
MODBUS MASTER
with RS485 built in



* Optional but highly recommended

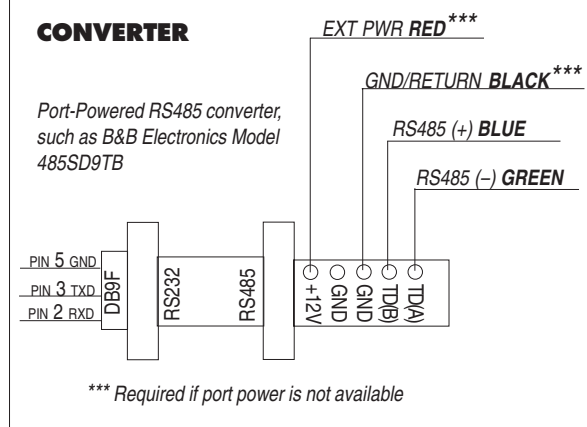
MODBUS MASTER

with RS232 built in (converter required)



* Voltage limited by converter

CONVERTER



*** Required if port power is not available

Signal	Color
Gnd/Return	BLACK
Ext Power	RED
4-20 mA	BROWN
RS485(-)	GREEN
RS485(+)	BLUE
SDI-12	WHITE

1 800 446 7488

(toll-free, US and Canada) or 970 498 1500 www.in-situ.com

