

Instruction Sheet

Bulkhead Connector

Part Number 0053240 | 0060030



Connections and Wiring

1. Drill and tap hole.
 - Drill bit: 29/64 (.453)
 - Tap: 0.5 in. - 20 - NF-UNF
2. Remove jam nut and ground contact from connector assembly.
3. Thread connector assembly through drilled and tapped hole, and tighten.
4. Attach ground contact and ground it.
5. Attach jam nut and tighten.
6. Wire conductors per table below. See wiring diagrams provided in this document.

Specifications

Output	6-wire plus ground
Environmental rating	IP67

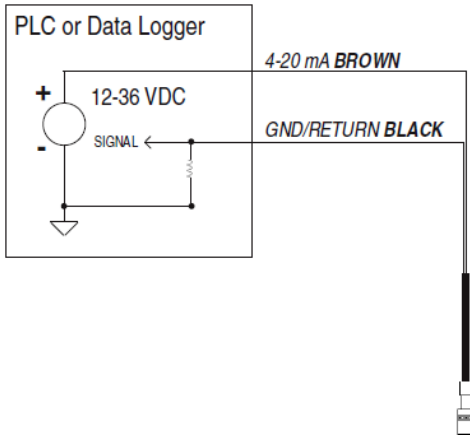
Wire Color	Signal	Level TROLL Aqua TROLL	TROLL 9500	Aqua TROLL 600
Black	GND	✓	✓	✓
Red	EXT PWR	8-36 V	8-16 V	8-36 V
Blue	485 (+)	✓	✓	✓
Green	485(-)	✓	✓	✓
Brown	4-20 mA	✓	NOT USED	NOT USED
White	SDI-12	✓	NOT USED*	✓

* An adapter (part number 0095200) is required for SDI-12 operation of a TROLL 9500.

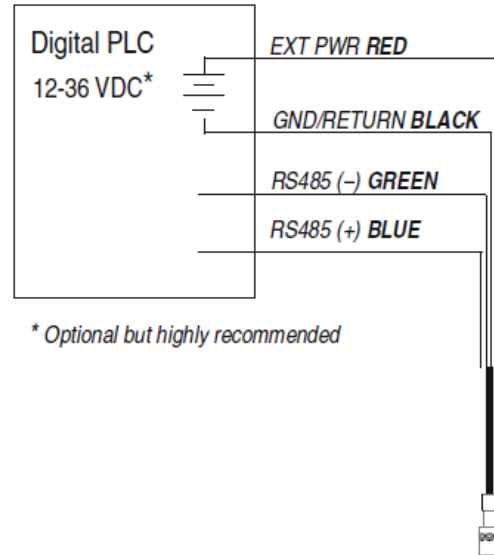
Application

A panel-mounted bulkhead that mates with Twist-lock connectors on In-Situ RuggedCable.

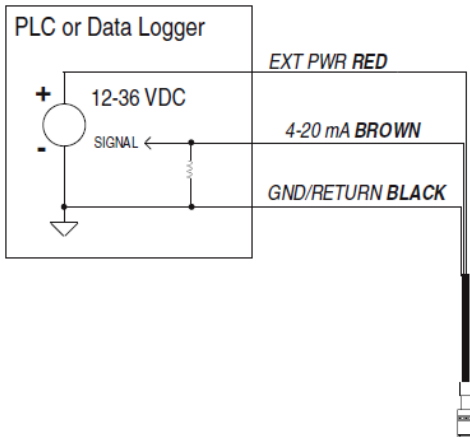
Analog (4-20 mA) 2 Wire



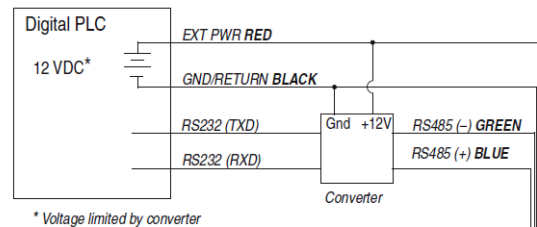
Modbus Master



Analog (4-20 mA) 3 Wire



Modbus Master with RS232 (Converter Required)



SDI-12 3 Wire

